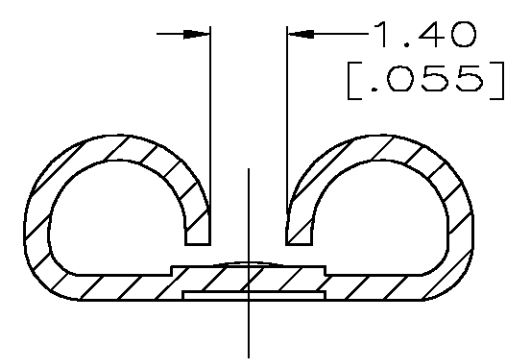
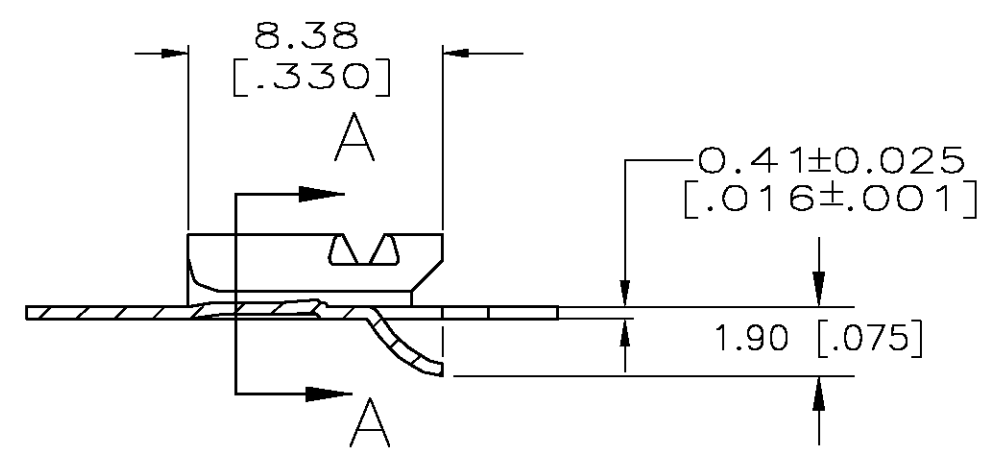
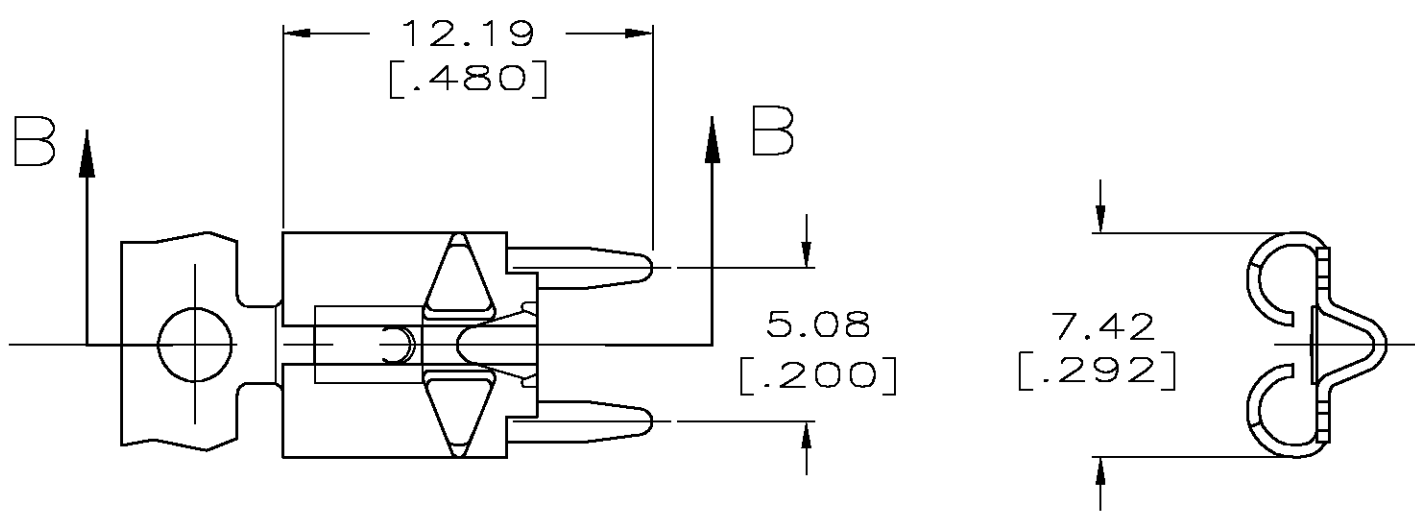


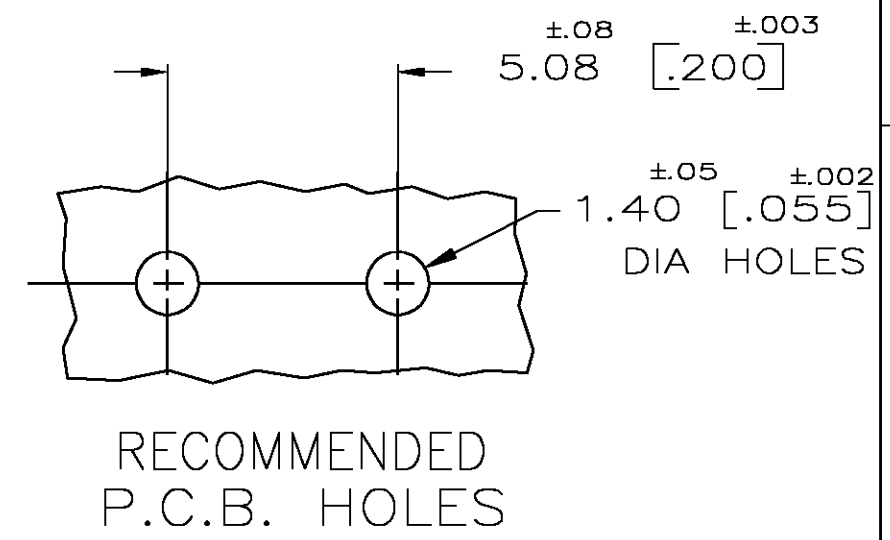
THIS DRAWING IS UNPUBLISHED. RELEASED FOR PUBLICATION
 © COPYRIGHT BY TYCO ELECTRONICS CORPORATION. ALL RIGHTS RESERVED.

LOC	DIST	REVISIONS			
P	LTR	DESCRIPTION	DATE	DWN	APVD
AF	50	D	REV PER 0G3A-0106-05	22APR05	JR PD

- CONTINUOUS STRIP ON REELS.
- 0.00254 [.000100] MIN THK TIN OVER 0.00254 [.000100] MIN THK COPPER, OR OVER 0.00127 [.000050] MIN NICKEL.
- MATING TAB THK IS 0.81±0.025 [.032±.001].



SECTION A-A
SCALE 8:1



SECTION B-B

63969-1
PART NO.

THIS DRAWING IS A CONTROLLED DOCUMENT.		DWN JR RUTH 2/24/97	Tyco Electronics Corporation Harrisburg, Pa 17105-3608		
DIMENSIONS: MM [INCHES]		CHK MS FEHER 2/24/97			
TOLERANCES UNLESS OTHERWISE SPECIFIED:		APVD D BRATINA 2/24/97	NAME RECEPTACLE, FASTON, 6.35/5.21 [.250/.205] SERIES, PC BOARD MOUNTED		
0 PLC ± - 1 PLC ± - 2 PLC ± 0.25 [.010] 3 PLC ± - 4 PLC ± - ANGLES ± -		PRODUCT SPEC -	SIZE A3	CAGE CODE 00779	DRAWING NO C-63969
MATERIAL H04 BRASS		FINISH -	WEIGHT -	RESTRICTED TO -	
CUSTOMER DRAWING			SCALE 4:1	SHEET 1 OF 1	REV D